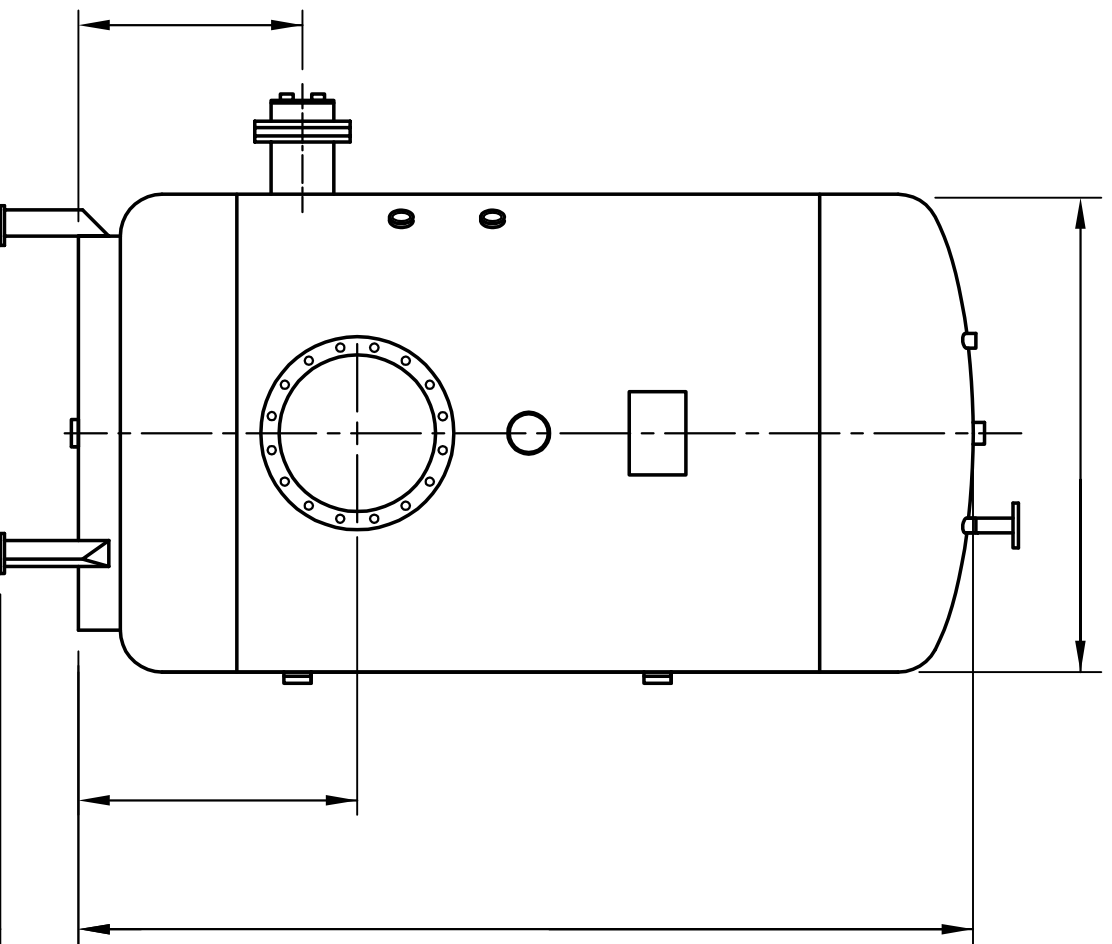


PLAN VIEW

PRESSURES	WORKING (BAR)	TEST (BAR)
SHELL		
TUBES		

ALL 316 STAINLESS STEEL U.O.S.



AQUATHERM HEAT TRANSFER LTD

RACECOURSE ROAD
 PERSHORE
 WORCESTERSHIRE
 WR10 2EY

Tel: 01386 552251
 Fax: 01386561948
 info@aquacals.co.uk
 www.aquacals.co.uk

TITLE STORAGE CALORIFER

PRODUCT RANGE STOW

DRAWN DATE THIRD ANGLE PROJECTION SHEET

REVISION A SCALE NTS DRAWING No.