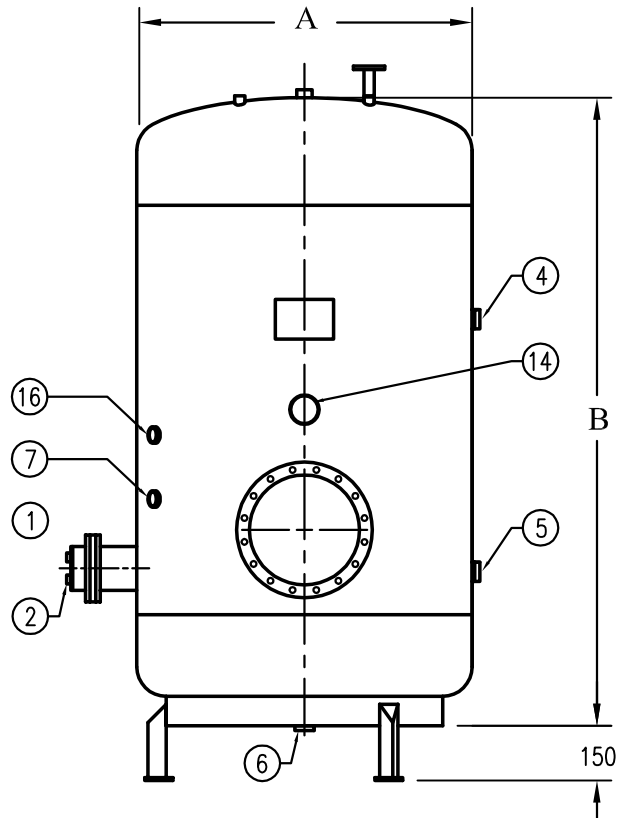


PLAN VIEW



ITEM	DESCRIPTION	SIZE
1	PRIMARY INLET	VARIES
2	PRIMARY OUTLET	VARIES
3	SECONDARY FLOW	VARIES
4	SECONDARY RETURN	VARIES
5	COLD FEED	VARIES
6	DRAIN	VARIES
7	CONTROL THERMOSTAT	1"
8	THERMOMETER	3/4"
9	SAFETY VALVE	VARIES
10	PRESSURE GAUGE	3/8"
11	VENT NOT SHOWN (OPTIONAL)	VARIES
12	PRESSURE GAUGE (STEAM ONLY)	3/8"
13	ANTI VACUUM VALVE (OPTIONAL)	VARIES
14	IMMERSION HEATER (OPTIONAL SEE NOTES)	VARIES
15	BURSTING RING (IF SPECIFIED)	VARIES
16	HIGH LIMIT THERMOSTAT (OPTIONAL)	1"

SIZE LITRES	DIMS IN MM			MAIN CONNECTION SIZES (BSP)					
	A	B	C	3	4	5	6	11	13
500	686	1473	250	1.5	1.0	1.5	.75	1.0	.75
550	686	1727	250	1.5	1.0	1.5	.75	1.0	.75
600	762	1448	300	1.5	1.0	1.5	.75	1.0	.75
700	762	1678	300	1.5	1.0	1.5	.75	1.0	.75
800	762	1930	300	1.5	1.0	1.5	.75	1.0	.75
900	813	1956	300	1.5	1.5	1.5	.75	1.25	.75
1000	915	1753	300	2.0	1.5	2.0	1.0	1.25	1.0
1200	915	2086	300	2.0	1.5	2.0	1.0	1.25	1.0
1500	1067	1956	375	2.0	1.5	2.0	1.0	1.25	1.0
1750	1067	2175	375	2.0	1.5	2.0	1.0	1.25	1.0
2000	1067	2388	375	2.0	1.5	2.0	1.0	1.5	1.0

GENERAL NOTES:
 ALL MATERIALS 316 STAINLESS STEEL
 IMMERSION HEATER IS OPTIONAL, ITEM14.
 TUBES 10 BAR WORKING PRESSURE: 15 BAR TEST PRESSURE
 SHELL 7 BAR WORKING PRESSURE: 10.5 BAR TEST PRESSURE
 MANUFACTURED TO BS.853.96

**AQUATHERM HEAT
TRANSFER LTD**

RACECOURSE ROAD
 PERSHORE
 WORCESTERSHIRE
 WR10 2EY

Tel: 01386 552251
 Fax: 01386561948
 info@aquacals.co.uk
 www.aquacals.co.uk

TITLE		STORAGE CALORIFER	
PRODUCT RANGE		STOW	
DRAWN	DATE	THIRD ANGLE PROJECTION	SHEET
B.J.A.	12.06.09		1 OF 1
REVISION	SCALE	DRAWING No.	SC1001
A	NTS		