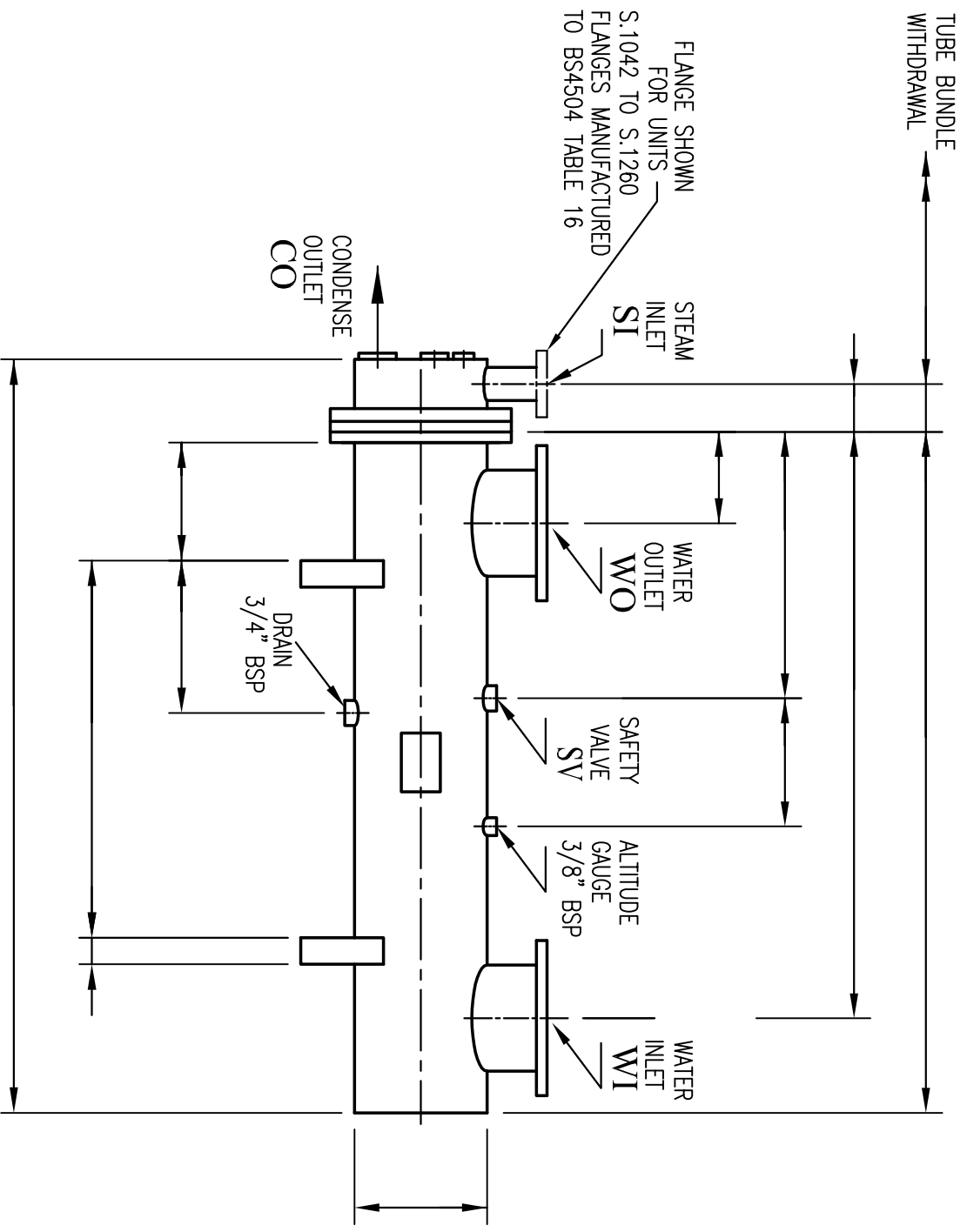
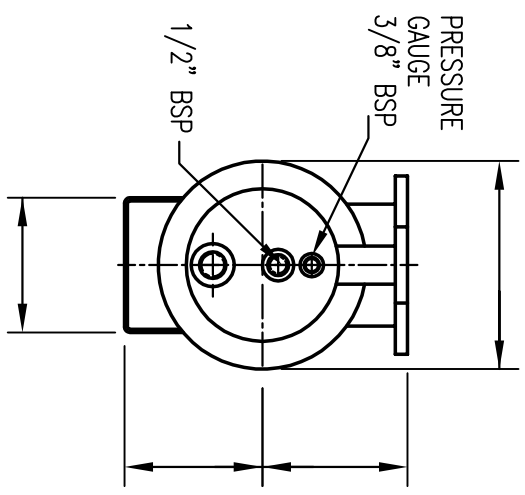


DESCRIPTION	MATERIALS
SHELL	
TUBES	
TUBE PLATE	
HEADER	
BAFFLES	

PRESSURES	WORKING (BAR)	TEST (BAR)
SHELL		
TUBES		



AQUATHERM HEAT TRANSFER LTD
 RACECOURSE ROAD
 PERSHORE
 WORCESTERSHIRE
 WR10 2EY

Tel: 01386 552251
 Fax: 01386561948
 info@aquacals.co.uk
 www.aquacals.co.uk

TITLE	STEAM/WATER NON STORAGE HEAT EXCHANGER		
PRODUCT RANGE	VALE TYPE		
DRAWN	DATE	THIRD ANGLE PROJECTION	SHEET
REVISION	A	SCALE	NTS
DRAWING No.			